



Electrical carbon dioxide gasifiers
GU 125, GU 250, GU 500, GU 1000.
Electrical carbon dioxide heaters
PU 125, PU 250, PU 500, PU 1000.

Gasifiers are designed for maintaining of pressure in insulated reservoir by means of gasification of liquid phase while discharging gaseous one.

Heaters are designed for gas heating and its feeding to the consumer with maintenance of gas constant temperature. Structures of gasifiers and heaters are uniform and consist of column with tubular electric heating elements and electrical equipment unit mounted on the common base plate.

Main components of products that may require replacement during operation are tubular electrical heating elements and power solid-state relays.

Additional services.

Overhaul of electrical carbon dioxide gasifiers and heaters. Repair includes all necessary process operations, and the Customer will receive exchanger with operating technical characteristics. Repair terms and costs are determined after preparation of damage assessment acts on equipment by our specialists.

Order sheet of automatic parts for electrical gasifiers and heaters.

Item No.	Instrumentation identification	Equipment designation	Note
1.	Temperature sensor DTS 054-50M.V3.60/1.0	GU 125, GU 250, GU 500, GU 1000, PU 125, PU 250, PU 500, PU 1000.	- 50...+150 °C, M16x1.5
2.	Pressure sensor PD100- DI-2.5-0.5.I.11	GU 125, GU 250, GU 500, GU 1000	2.5 MPa, M20x1.5
3.	Microprocessor measuring- regulating device		
3.1.	TRM-1-Sch1.U.R.	GU 125, GU 250, GU 500, GU 1000	Pressure adjustment
3.2.	TRM-10-Sch1.U.S.R.	GU 125, GU 250, PU 125, PU 250, PU 500, PU 1000	Temperature adjustment
3.3.	TRM-1-Sch1.U.I.	GU 500, GU 1000	Power indication
3.4.	2TRM-1-Sch1.U.R.I.	GU 500, GU 1000	Temperature adjustment

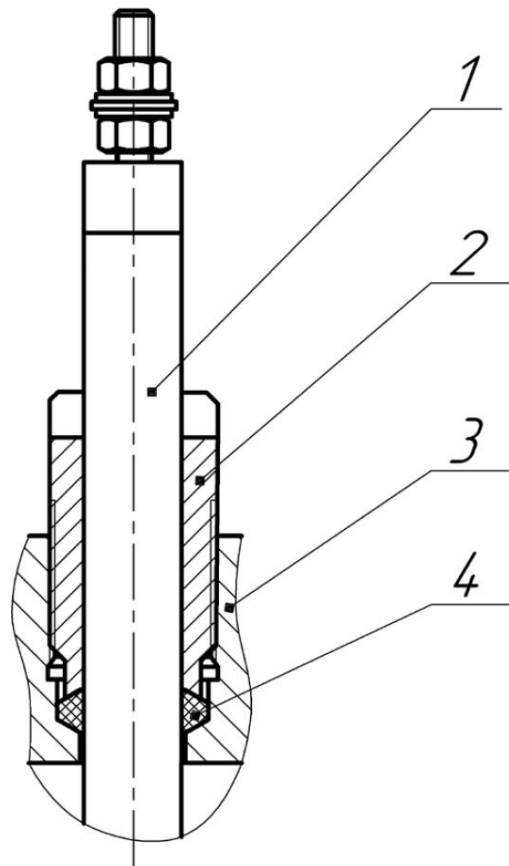
Additional equipment.

Set of counter flanges completed with wire products and gaskets.

Designation for order:

Item No.	Flange identification	Equipment designation	Quantity
1.	Flange ex. 5 Dn25, Pn25, st. 12X18N10T GOST 12820-80.	GU 125, GU 250, GU 125, PU 250, PU 500, PU 1000.	2
2.	Flange ex. 5 Dn32, Pn25, st. 12X18N10T GOST 12820-80.	GU 500, GU 1000.	2





Installation of tubular electric heating element into the column of gasifier (heater)

1. Tubular electric heating element. 2. Packing nut KD03.01.00.10 (for GU500 (1000) – Nut KD01.01.00.07).
3. Evaporation riser. 4. Seal sleeve KD01.01.00.06.

Order sheet of tubular electric heating elements on electrical gasifiers and heaters.

Item No.	Tubular electric heating element identification	Equipment designation	Number of tubular electric heating elements per product
1.		Electrical gasifiers	
1.1.	TEN 100C13/1.25J-220	GU 125	9
1.2.	TEN 100C13/3.0J-220	GU 250	9
1.3.	TEN 280F13/7.5J-380	GU 500	9
1.4.	TEN 280F13/12.0J-380	GU 1000	9
2.		Electrical heaters	
2.1.	TEN 100C13/1.25T-220	PU 125	3
2.2.	TEN 100C13/2.0K-220	PU 250	3
2.3.	TEN 100C13/1.25T-220	PU 500	9
2.4.	TEN 100C13/2.0K-220	PU 1000	9

* Tubular electric heating elements for all products are made of stainless steel.

Order sheet of power thyristor units on electrical gasifiers and heaters.

Item No.	Unit identification	Equipment designation	Quantity per product
1.		Electrical gasifiers	
1.1.	Solid-state relay HT2544ZA2 (3 phases, 25 A)	GU 125	1
1.2.	Solid-state relay HT6044ZA2 (3 phases, 60 A)	GU 250	1
1.3.	Power adjustment module MRM3-60- 8-D158 (60 A)	GU 500	9
1.4.	Power adjustment module MRM3-60- 8-D158 (60 A)	GU 1000	9
2.		Electrical heaters	
2.1.	Solid-state relay HT1044ZA2 (3 phases, 10 A)	PU 125	1
2.2.	Solid-state relay HT2544ZA2 (3 phases, 25 A)	PU 250	1
2.3.	Solid-state relay HT2544ZA2 (3 phases, 25 A)	PU 500	1
2.4.	Solid-state relay HT4044ZA2 (3 phases, 40 A)	PU 1000	1