



Electrical carbon dioxide heaters PU 125...1000.

Heater is designed for heating and maintaining of the constant temperature of process gas in front of consuming line (carbon dioxide gas, argon, or their mixture), coming after gasifier, insulated tank, or other gas source.

Heater consists of heating column and control unit.

Gas heating occurs directly by means of electrical heaters excluding intermediate heat media.

During heater operation, automatic actuation and shutdown of heating elements (tubular electric heating elements) occurs in accordance with signals from temperature sensor, maintaining temperature values at the level set by settings of temperature on measuring-and-regulating device of the heater.

High-precision maintenance of gas temperature at the heater outlet is performed by means of measuring-and-regulating device generating signals for impulse actuation of tubular electric heating elements according to proportionally differential integral principle.

Column and tubular electric heating elements of heater are made of stainless steel (AISI 304 or analogue).

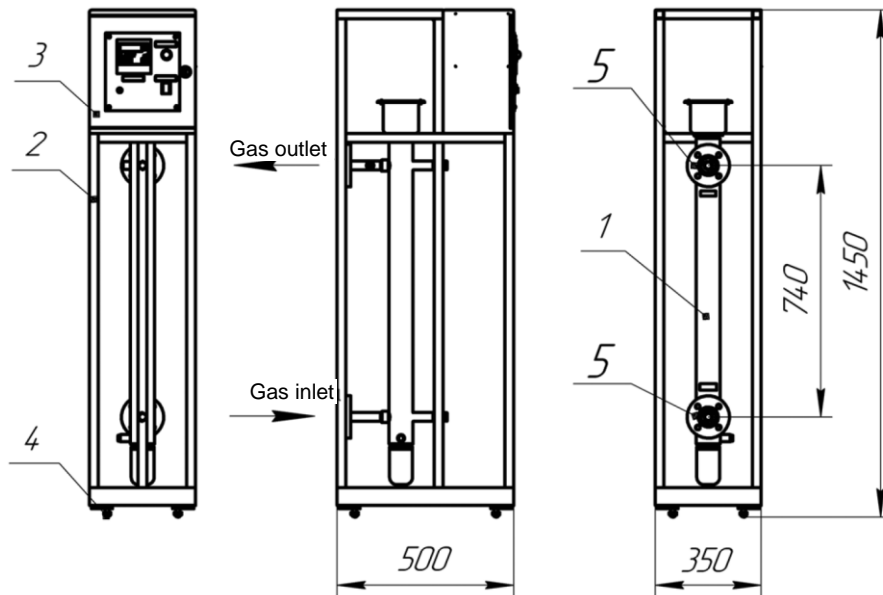
At the Customer's option, pressure regulator may be additionally supplied.

Guaranteed service life is 1 year.



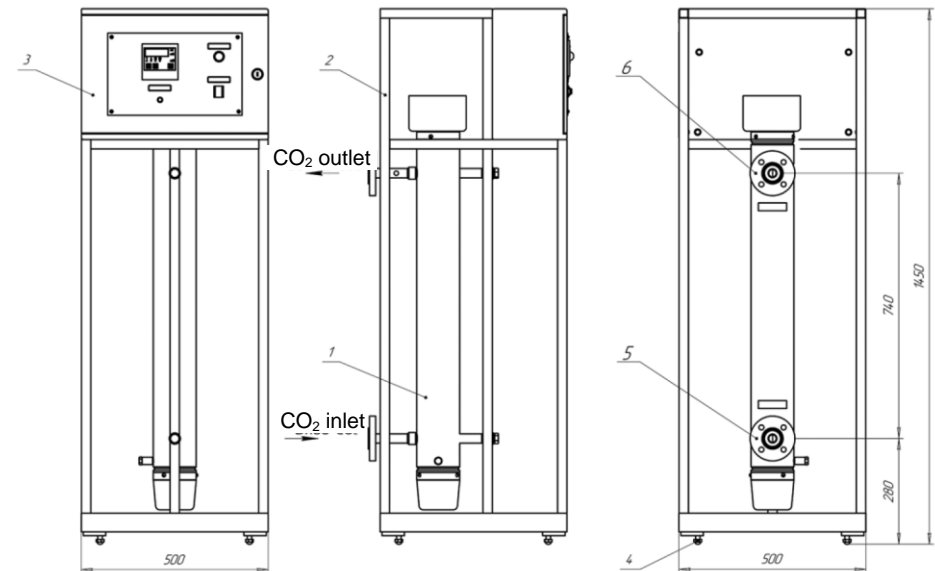
Technical characteristics

Operating medium	1. CO ₂ as per GOST 8050-85 2. Ar as per GOST 10156-79 3. Gas mixtures as per TS2114-002-00204760-99 (Ar +CO ₂)			
Type	Electrical			
Grade	PU 125	PU 250	PU 500	PU 1000
Capacity, kg/h	Up to 125	Up to 250	Up to 500	Up to 1000
Consumed power, kW, not more than	3.0	6.0	9.0	18.0
Power – industrial network	380 V, 50 Hz			
Operating pressure, kgf/cm ²	25			
Gas temperature at the outlet, °C	+5 ... +30			
Ambient temperature, °C	+5 ... +40			
Weight, kg, not more than	70		100	
Overall dimensions, mm	350 x		500 x	
	500 x		500 x	
	1300 (h)		1600 (h)	



Electrical carbon dioxide heater PU125 (PU250). Dimensional drawing.

- 1- Evaporation riser; 2 - Frame; 3 - Electrics box; 4 - Adjusting screws;
5 - Flange ex. 4 Dn 25, Pn 25 GOST 12820-80.



Electrical carbon dioxide heater PU500 (PU1000). Dimensional drawing.

- 1- Heater column; 2 - Frame; 3 - Electrics box; 4 - Adjusting screws;
5 - Flange ex. 4 Dn25, Pn25 GOST 12820-80.