



### Carbon dioxide atmospheric gasifiers GU 250A

**Gasifier** is designed for evaporation of liquid carbon dioxide and feeding of carbon-dioxide gas for consumption.

Use of atmospheric gasifier is an alternative to use of two devices of electrical type – GU and PU (carbon dioxide electrical gasifier and heater).

Gasifier is produced considering innovative technologies allowing possibility of **energy saving up to 95%** in comparison with electrical analogous equipment. Necessary amount of heat is provided by air circulation in premise (by means of fans operation). Temperature of circulating air shall not be less than +10 °C.

**Gasifier** consists of heat exchanger and control box. Heating for evaporation of liquid carbon dioxide in gasifier takes place directly in heat exchanger by means of ambient air heat.

**High-productive energy-saving two-section lamella heat exchanger** of gasifier consists of

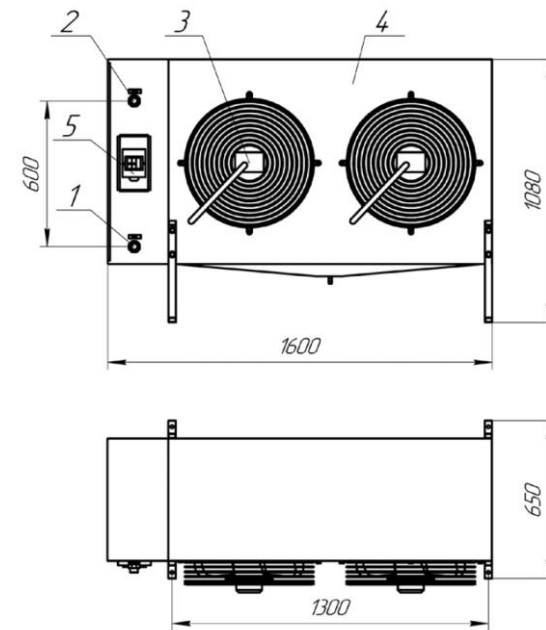
thin-wall copper pipes and aluminum lamellas with corresponding profiles. At the Customer's option, heat exchanger may be made of **stainless pipes**.

Gasifier is equipped with pallet for condensate drain with possibility of drainage pipeline connection.

Gasifier operates in **automatic mode** without permanent control of maintenance personnel.

At the Customer's option, carbon dioxide atmospheric gasifiers may be supplied with additional option – installation of **additional electrical loop** to heat air going through gasifier. Additional electrical loop provides increase in gasifier capacity by 30% of rated one, or decrease in minimum ambient temperature necessary for gasifier operation from +10 °C to +5 °C. In case of production necessity, electrical loop actuates manually and operates in the automatic mode.

**Guaranteed service life** is 1 year.



**Carbon dioxide atmospheric gasifier GU250A.  
Dimensional drawing.**

1- Liquid carbon dioxide inlet; 2 - Carbon dioxide gas outlet;  
3 - Fan; 4 - Heat exchanger; 5 - Control unit.

#### Technical characteristics

Operating medium	CO <sub>2</sub> as per GOST 8050-85
Type	Atmospheric
Grade	GU 250 A
Capacity, kg/h	Up to 250
Consumed power, kW, not more than	0.7
Power – industrial network	220 V, 50 Hz
Operating pressure, kgf/cm <sup>2</sup>	20
Ambient temperature, °C	+10 ... +40
Weight, kg, not more than	200
Overall dimensions, mm	650x1580x100 (h)